



- Generator stator earth fault protection
- Winding insulation protection
- "Pathfinder" function eases faultfinding
- For use with 1A or 5A current transformers
- Very fast analogue output (<50mS), (F-version)
- Optional slave indicator scaled 0-40%In

**Specifications**

Standard Auxiliary Voltage:	24VDC (Fuse 0,5A)	
Optional Auxiliary Voltage:	100-120, 200-240, 380-415 or 440-460VAC, 40-70Hz (Fuse 2A)	
Current Input:	1 or 5A C.T. (Class 0,5 or better)	
Contact rating:	AC: 100VA - 250V/2A max. DC: 50W - 100V/1A max.	
Adjustments:	Trip level:	Delay:
Warning:	0-100% of alarm level	0-30 sec.
Alarm:	0-40% of I nom.	0-3 sec.
Analogue outputs:	Up to 20mA, max 500ohm	
F-versions	Up to 10V, min 10kohm (other on request)	
Temperature:	-20 to +70°C	
Weight:	0.6kgs	
Front protection:	IP21	

**Description**

KCC112E protects against phase-, earth- and winding faults within the protected area (the stator) of large AC generators. It detects even minute insulation punctures, flash-over carbon deposits and contamination. The unit measures highest up differential current from antiparalleled CTs in a Merz-Price configuration, by comparing current levels at the end of each phase winding.

R1 is used for early warning. R2 or R3 (fail safe) is to be used for generator breaker trip, the "other" alarm relay can be used for local indication input to PMS, alarm system etc.

Alarm trip must be set sufficiently high to ensure that generator magnetisation current does not cause tripping. The alarm delay is to be set so that the initial inrush current have returned to normal level before the delay period elapses. The warning trip level and delay can be set as required to give early warning.

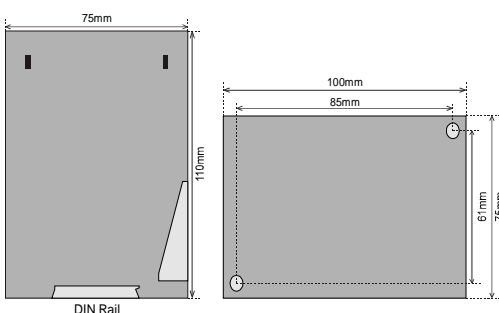
User settable trip levels and delays. Colour of LEDs indicates alarm status. LEDs flash during count-down. The meter and the triple-zone status LEDs at a glance gives the clear safety message: ALARM/ WARNING/NORMAL

The F-versions have an fast response mA output signal proportional to highest up current.

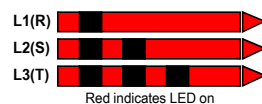
The "Pathfinder" function identifies the phase(s) causing the trip by the flashing pattern of the relevant LED(s).

The unit meets IEC60092-504 and the relevant environmental and EMC tests specified in IEC60068/60092 and IEC61000/60533 respectively, to comply with the requirements of the major Classification Societies.

**Dimensions**



**Pathfinder Function**

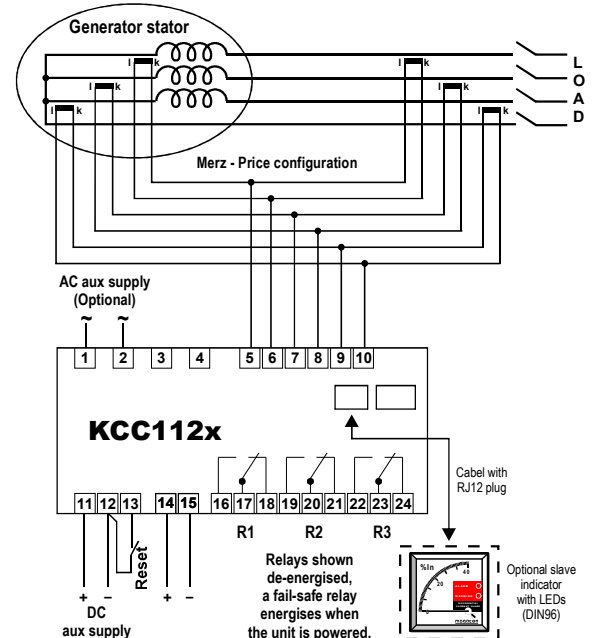


**KCC112E, KCC112F**

	Warning	Alarm	Fail safe	Latch
R1	✓			
R2		✓	✓	✓
R3		✓	✓	✓

**Relay Reset**

Any latched relay is reset by linking terminals 12 and 13.



The MEGACon policy is one of continuous improvement, consequently equipment supplied may vary in detail from this publication.

**ORDERING INFORMATION**

Type	: KCC112F
Aux. Supply	: 24VDC
Input Current C.T.	: 1500/1A
I nom(100%)=	: 1230A
Analogue output	: 4-20mA



Norway  
Denmark  
United Kingdom  
**megacon**

[www.megacon.com](http://www.megacon.com)  
ELECTRONIC CONTROL AND INSTRUMENTATION

REF: Datasheet.KCC112x - REV: 1.03/11.2013

© All rights reserved to Megacon  
Megacon reserves the right to make any changes to the information at any time