

PL-STS SERIAL PORT Converter/Repeater

DESCRIPTION

PL-STS provide an ideal physical layer solution on serial port communication conversion. It is an isolated RS-232 to RS-485/RS-422 converter. By using PL-STS, one can find out the truth of full supports on convenience, efficiency, expansibility, robustness, reliability, simplicities and stability.



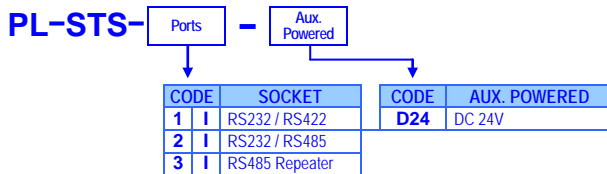
FEATURE

- Communication speed is up to 115.2 kbps.
- Auto-baud rate of RS-485/RS-422
- Auto Detect RS-485/RS-422, no configuration
- 3KV Power Module and Photo Coupler isolation
- Terminator resistor Inside
- Can be a RS485 repeater in option to extent the system

APPLICATIONS

It is easy to convert serial port data in IA, Factory Automation, Security or any other low data rate transmission by using it as the intermediate converter.

ORDERING INFORMATION



TECHNICAL SPECIFICATION

Serial Communication: Transmission speeds: 300-115200 bps
Data bits: 7, 8
Parity: None, Even, Odd
Stop bits: 1, 2
Flow control: RTS/CTS,
SYS: Red high bright round LED
TX: Green high bright round LED
RX: Green high bright round LED

LED indication:

Terminate Resistance: 120Ω

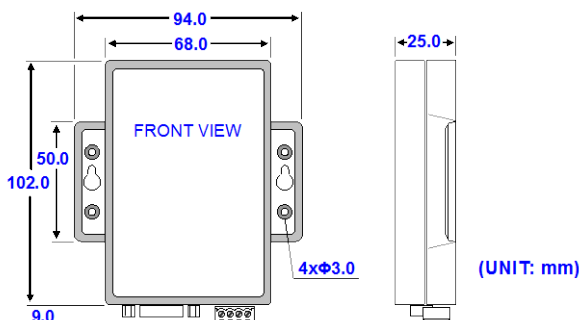
Isolation: 3KV for 1 minute, Power and port isolated by photo couple
Flow control: RTS/CTS

Power
Power Supply: DC 10-30V, 220mA
Power consumption: ≤ 1W

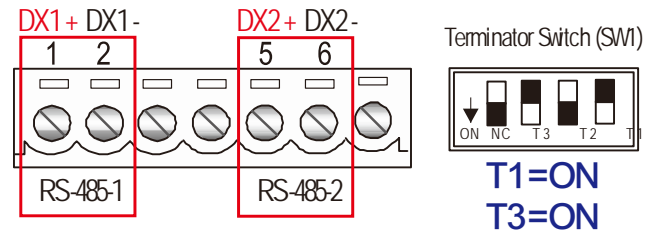
Environmental
Operating temp.: 0-60 °C
Operating humidity: 20-95 %RH, non-condensing
Storage temperature: -10-70 °C

Mechanical
Case Material: ABS fire-protection (UL 94V-0)
Mounting: Surface mounting
Terminal block: Plastic NYLON 66 (UL 94V-0)
Weight: 150g

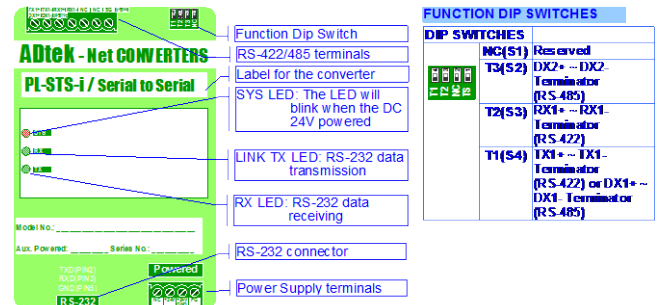
DIMENSIONS



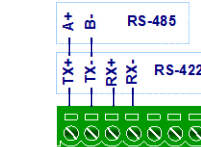
RS485 Repeater (PL-STS-3I)



FRONT PANEL & CONNECTION



RS-422/RS-485 CONNECTION



RS-232		RS-422 RS-485	
1	TXD	1	DX+(A+)
2	RXD	2	DX-(B-)
3	GND	3	
4		4	