

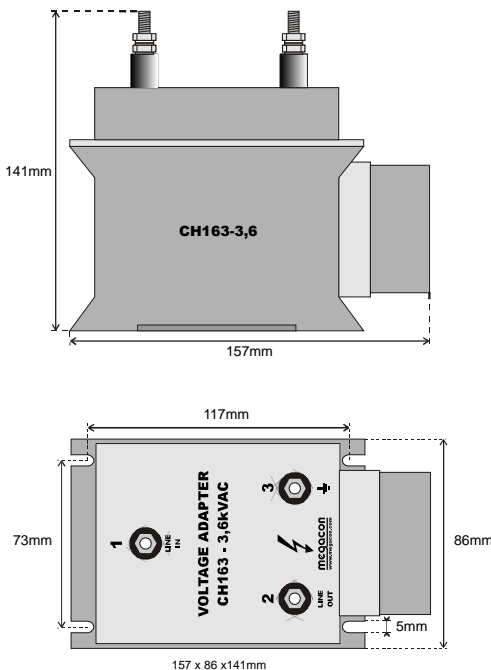


- HV Adaptor for AC Insulation Guards and Transducers
- Up to 3600V Line Voltage live or non-live (standby)
- Creates safety barrier from live HT network to LV switchboard
- Limits measuring output signal to safe levels
- No restrictions on distance between adaptor and LV switchboard

Specifications

Voltage range:	Up to 3600V line voltage
Frequency range:	40-400Hz
Temperature range:	-10 to +54°C
Dimensions:	157 x 86 x 141mm
Weight:	1,5kg

Dimension



Description

Voltage Adaptor CH163-3,6 is used for Insulation Guard KPM163x and KCM16x or Insulation Transducer MCM163x, when the monitored line voltage is higher than 500VAC.

The adaptor is a passive low-pass filter for use in 50, 60 or 400Hz networks, and is potted in polyurethane.

The unit includes high inductance reactance modules, connected in a special configuration to avoid DC saturation. The Adaptor maintains a high AC suppression of its signal output to very low, safe levels, under all conditions.

Alternative connections to the AC network are shown below. Connection to the star-point (Neutral) is preferable.

Caution

Terminal 1 must be disconnected during "megger" test.

Principle connection

