


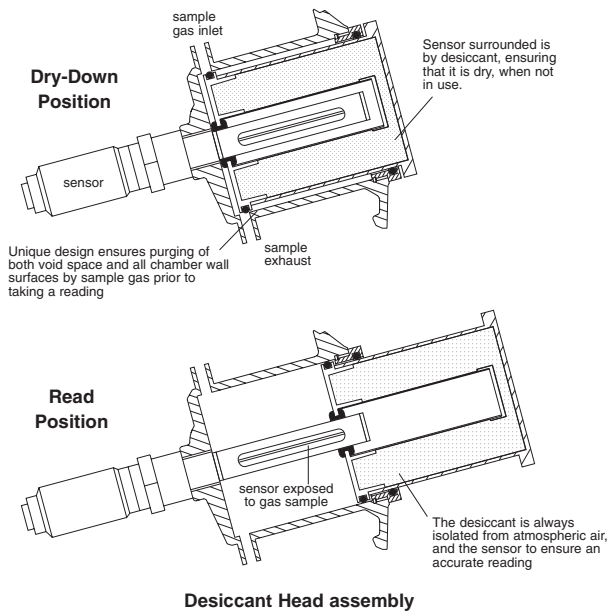
Model SADP_{miniEX}

Intrinsically Safe Hand-Held Dewpoint Hygrometer



- **Certified Intrinsically Safe for use in explosive atmospheres:**

- **User Selectable Units - °C, °F, ppm(v), ppb(v), ppm(w), g/m³, lbs/MMSCF**
- **Desiccant Dry Down Assembly for Quick Measurements**
- **Real Time Graphic Logging to PC**
- **Advanced DATA Logging & PC Download**
- **RS485 Serial Communication**
- **4-20mA Analogue Output**
- **Electronic Automatic Calibration**
- **Pressure Correction Computation**
- **Various Ranges between -110°C to + 20°C dewpoint**
- **True Hand Held Portable Device**
- **Fully Self-Contained**
- **User Friendly**
- **Multi-Level Security to Prevent Unauthorised Tamper**
- **Robust Ergonomically Designed Custom Housing**

Desiccant Dry Down Technology



Keeping the sensor dry between tests ensures that the SADPmini is always ready to carry out rapid spot checks. The unique design of the Desiccant Head achieves this by surrounding the sensor with desiccant when taking a measurement. At no time is the sensor allowed to come into contact with ambient air. The chamber is also designed so that the void space and chamber wall surfaces are purged with sample gas, before exposure of the sensor, so giving faster, more accurate and reliable results.

Alpha Moisture Systems
 Alpha House, 96 City Road
 Bradford, BD8 8ES
 England




Tel +44 (0) 1274 733100
 Fax +44 (0) 1274 733200
 Email info@amsystems.co.uk
 Website www.amsystems.co.uk

MODEL SADP^{miniEx} - Intrinsically Safe Hand-Held Dewpoint Hygrometer

Specifications

TYPE B

SENSING ELEMENT: Ultra Hi-Capacitance Aluminium Oxide Type

INTRINSIC SAFETY:
Standard : EN 50014:1997+A1+A2 / EN 50020:2002 / EN 50284:1999
Code :  II 1G EEx ia IIC T4 (T_a -20°C to +50°C)

RANGE IN DEW POINT:
SR: -110°C to -20°C (-166°F to -4°F) dew point
PL: -100°C to 0°C (-148°F to +32°F) dew point
RD: -80°C to -20°C (-112°F to -4°F) dew point
GY: -80°C to 0°C (-112°F to +32°F) dew point
BL: -80°C to +20°C (-112°F to +68°F) dew point

DISPLAY UNITS:
°C - Degrees Centigrade Dew / Frost Point
°F - Degrees Fahrenheit Dew / Frost Point
ppm(v) - Parts per million (volume)
ppb(v) - Parts per billion (volume)
ppm(w) - Parts per million (weight)
g/m³ - Grams per cubic metre
lbs/MMSCF - Pounds per million standard cubic feet

DISPLAY: Blue on Green, 128 x 64 pixel, Graphical LCD with LED backlight.

SENSOR CALIBRATION ACCURACY: ± 2°C Dew point. Each unit supplied with a Certificate of Calibration, traceable to National & International Standards - National Physical Laboratory (UK) / NIST (USA).

AUTOMATIC CALIBRATION: Electronic "Span Check". Performed by user following simple menu driven instructions. Can be password protected to avoid unauthorised tamper.

REPEATABILITY: Better than ±0.2°C dew point

POWER SUPPLY: 3.6v, 2.3Ah Rechargeable Li-Ion Battery. Battery charger included.

BATTERY LIFE: In excess of 80 hours of continuous use on full charge at 20°C/68°F.

TIME TO FULL CHARGE: 14 hours

KEYBOARD: 5 Membrane covered, metallic dome tactile keys.

PRESSURE CORRECTION: Integral calculator to display pressure dew points. Gauge pressure can be entered in kPa, kg/cm², bar or psi.

TEMPERATURE COEFFICIENT: Temperature compensated for operating range.

GAS SAMPLE CONNECTIONS: Ports accept Swagelok® VCO type coupling (9/16" x 18 UNF). Supplied with either 6mm or 1/4" Swagelok® SS compression fitting on one side. The other side is fitted with a stainless steel push-on, "fir tree" type, hose connector for 6mm ID tube. Each unit is supplied with 2m length, 6mm ID, PTFE tube.

ELECTRICAL CONNECTIONS: 9 Pin "D" type for 4-20mA analogue output, RS485 Serial Communications and PC interface. Separate socket for battery charger.

OPERATING TEMPERATURE: -10°C to +50°C

STORAGE TEMPERATURE & HUMIDITY: -40°C to +80°C / 95% RH Non-condensing

OPERATING PRESSURE: Maximum 30kPag (0.3barg / 4 psig).

OPERATING HUMIDITY (External): 95% RH Non-condensing

TYPICAL RESPONSE TIMES:
Wet to Dry: -10°C to -60°C - less than 120 seconds
Dry to Wet: -110°C to -20°C - less than 20 seconds

SAMPLE FLOW RATE: Flow independent, but ideally 2 to 5 litres per minute. Max: 10 litres/min.

REPLACEMENT DESICCANT: Field Interchangeable.

SENSOR LIFE: Between 5 & 10 years - depending on application.

REPLACEMENT SENSOR: Field Interchangeable.

ELECTROMAGNETIC COMPATIBILITY (EMC): Product complies with the objectives and requirements of EMC Directive 89/336/EEC, amended 92/31/EEC.

SECURITY: Multi level password protection.

WARM UP TIME: 10 seconds

WEATHERPROOF CLASSIFICATION: IP54 / NEMA12

WARRANTY: 2 years for faulty workmanship and defective parts.

WEIGHT: 1.2kgs (2.6lbs)

DIMENSIONS: 192 x 97 x 115 mms (7.5 x 3.8 x 4.5 inches)

MATERIALS OF CONSTRUCTION: Sensor in metal housing. Outer case custom manufactured in stainless steel impregnated, high impact Polybutylene Terephthalate (PBT).

ACCESSORIES INCLUDED: 2m PTFE Sampling pipe, Universal Battery Charger, User Manual.

TYPE F

As TYPE B plus following additional specifications & features:

ANALOGUE OUTPUT: Externally powered 4-20mA loop. Linear output with unit selected. Span easily configured by user.
Max. load = 50 x (V_{EXT} - 0.6) - 105
V_{EXT} = Supply voltage.
(Eg. For 24V supply, Max. load = 1065Ω)

ACCESSORIES INCLUDED: 4-20mA Connector for analogue output.

TYPE L

As TYPE B plus following additional specifications and features:

DATA LOGGING: 16,000 samples. Date and time stamped data, stored in chosen units of measurement, for download to PC.

DATA LOCATION: 20 separate locations (Tags) can be entered (alpha-numerical) by user for data collection at pre-programmed locations.

SAMPLING RATES: User selectable (in intervals of 6 seconds) from once every 6 seconds to once a day.

DATA DISPLAY: Numerical and Graphical display of data on SADPmini screen.

REAL TIME RECORDING: Device can be programmed to monitor, record and graphically present data in real time directly to PC.

SERIAL COMMUNICATIONS: RS485, baud rate 9600 - half duplex.

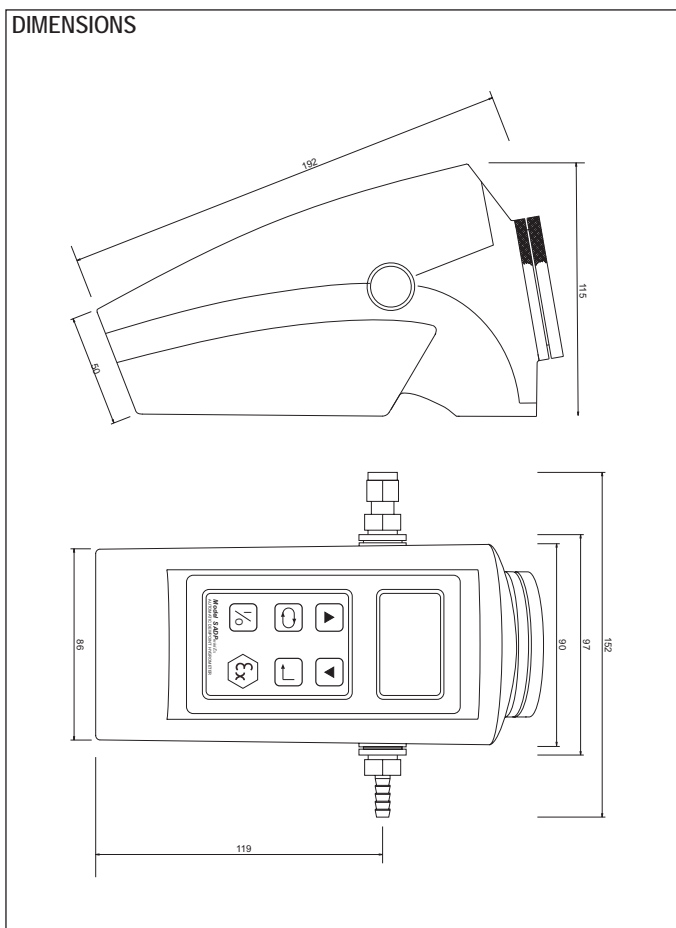
ANALOGUE OUTPUT: Externally powered 4-20mA loop. Linear output with unit selected. Span easily configured by user.
Max. load = 50 x (V_{EXT} - 0.6) - 105
V_{EXT} = Supply voltage.
(Eg. For 24V supply, Max. load = 1065Ω)

ACCESSORIES INCLUDED: 4-20mA / RS485 Connector for analogue output and serial communications. Serial or USB (Isolated / self powered) interface, with cables, for "Real Time Logging" and data download to PC. Software supplied on CD.

SYSTEM REQUIREMENT: Windows® 95 or later for Serial connection & Windows® 2000 or later for USB connection to PC.

OPTIONAL ACCESSORIES

Hard wearing, padded nylon carrying case, custom manufactured with carry handle, belt loop and adjustable shoulder strap.



MODEL SADP_{miniEx}
Intrinsically Safe Hand-Held Dewpoint Hygrometer
Ordering Information

Model SADP_{miniEx} - [XX] - [X] - [X] - [XX] - [X]

RANGE = XX
SR: -110°C to -20°C (-166°F to -4°F) dewpoint
PL: -100°C to 0°C (-148°F to +32°F) dewpoint
RD: -80°C to -20°C (-112°F to -4°F) dewpoint
GY: -80°C to 0°C (-112°F to +32°F) dewpoint
BL: -80°C to +20°C (-112°F to +68°F) dewpoint

TYPE = X
B: Standard
F: With 4-20mA Analogue Output
L: With logging, RS485 Comms. & 4-20mA Output

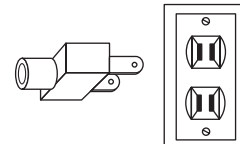
SAMPLE CONNECTION = X
4: 0.25" Swagelok® SS Compression Type
6: 0.6 mm Swagelok® SS Compression Type

PC CONNECTION = XX
S: Serial Port (Windows®95)
U: USB (Windows®2000 or later)
 (Choose only for Type L. Leave blank for Type B or Type F)

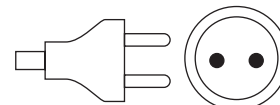
MAINS PLUG TYPE- For Battery Charger = XX
UK: Standard UK, 3 Square pin
US: 2 Vertical Flat Blade
EU: 2 Round Pins
AU: 2 Oblique FlatBlades with Ground
 (see diagram below)



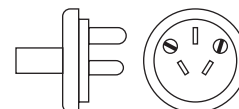
UK Type



US Type



EU Type



Australian Type

Example:

To order device with range -80°C to 0°C dewpoint, with logging capabilities, 6mm pipe connection, for use in UK and to be used with a USB type PC port, order as:

Model SADP_{miniEx} - GY-L-6-UK-U

OPTIONAL ACCESSORIES

Carrying Case for SADP_{miniEx} Order as:

Model SADP_{miniEx} - CC

Alpha Moisture Systems
 Alpha House, 96 City Road
 Bradford, BD8 8ES
 England



Tel **+44 (0) 1274 733100**
 Fax **+44 (0) 1274 733200**
 Email **info@amsystems.co.uk**
 Website **www.amsystems.co.uk**